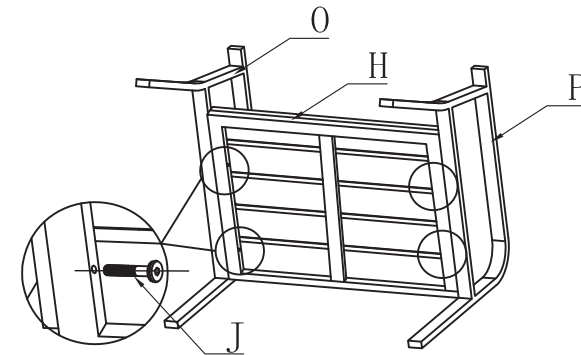
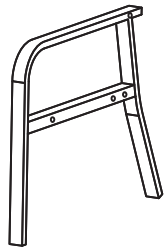


①

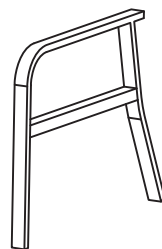


O



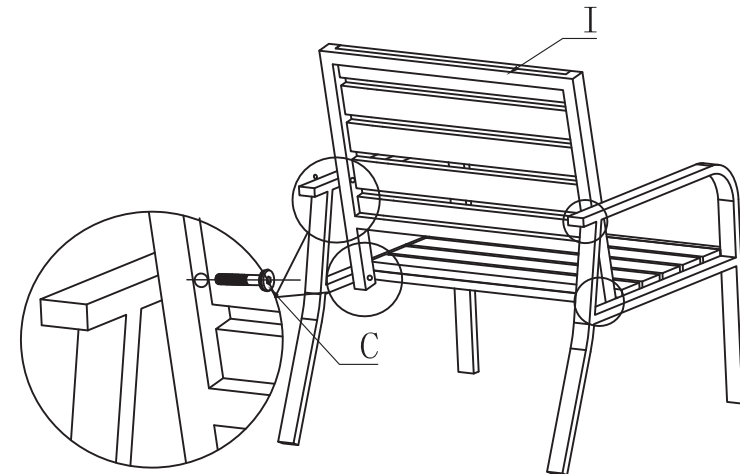
1PC

P



1PC

②



H



1PC

I



1PC

③

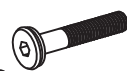
J



M6\*40mm

4PCS

C



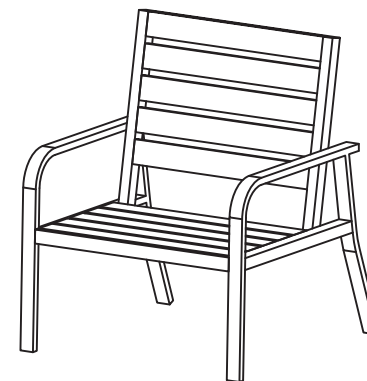
M6\*35mm

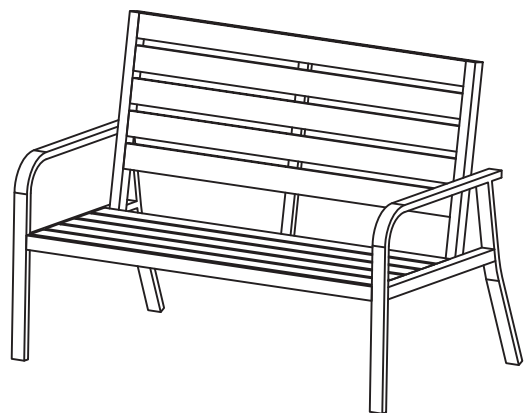
4PCS

E

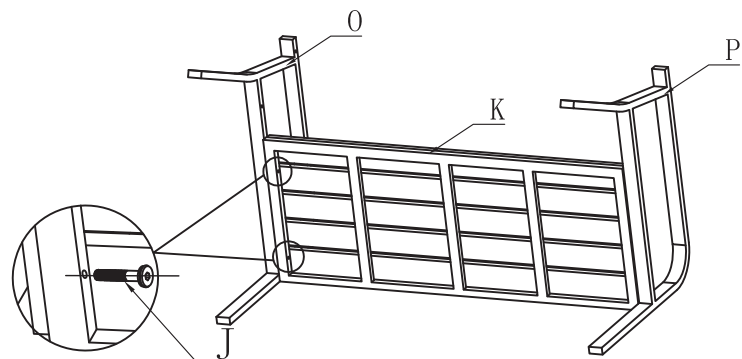


1PC

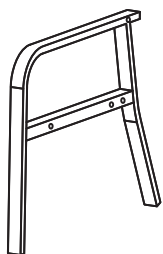




①

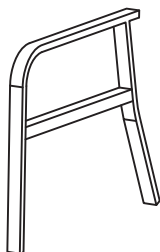


O



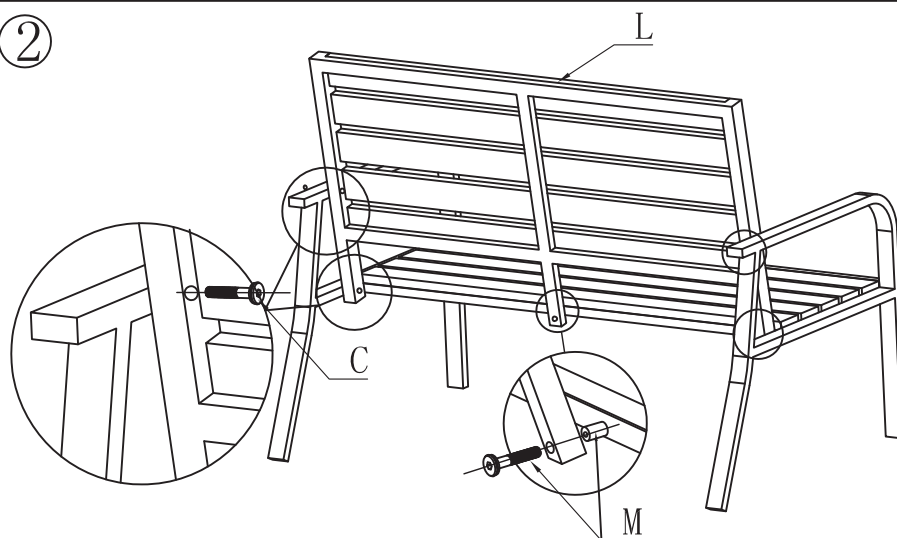
1PC

P



1PC

②

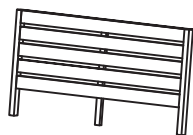


K



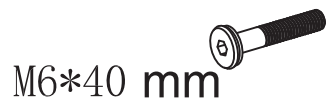
1PC

L



1PC

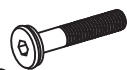
J



M6\*40 mm

4PCS

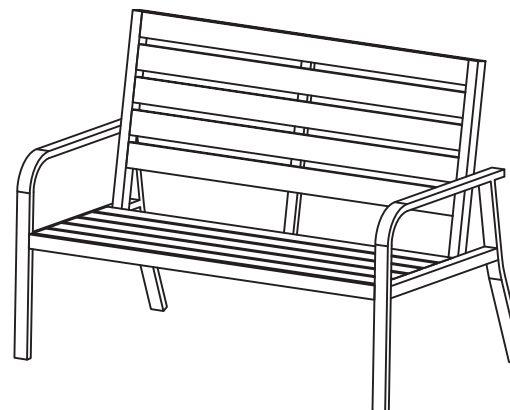
C



M6\*35mm

4PCS

③



M

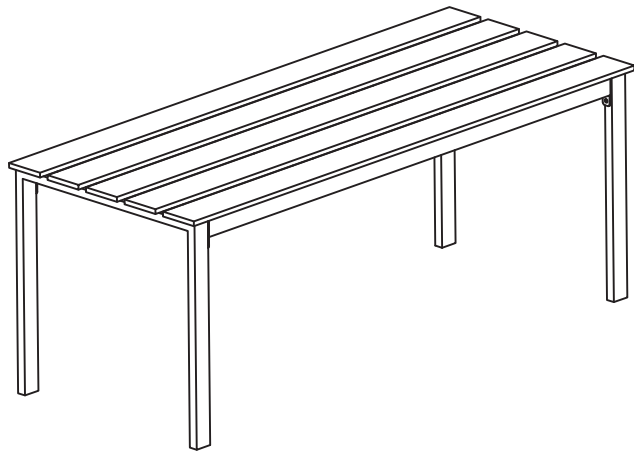


1PC

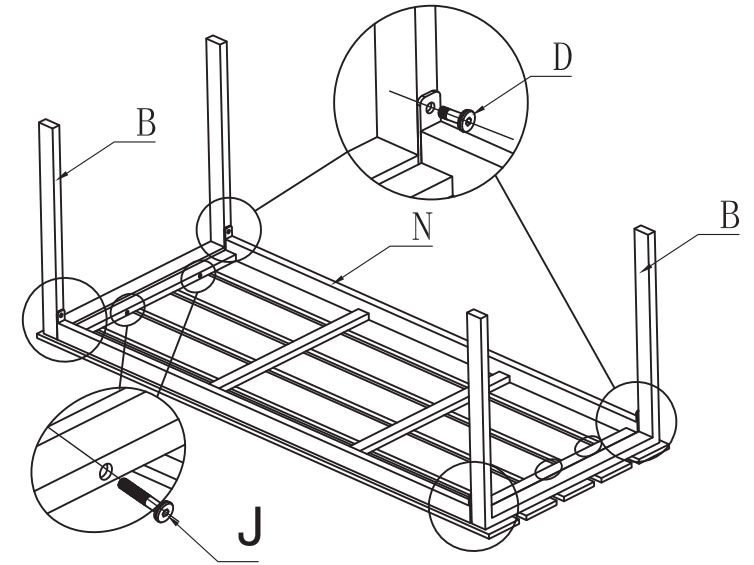
E



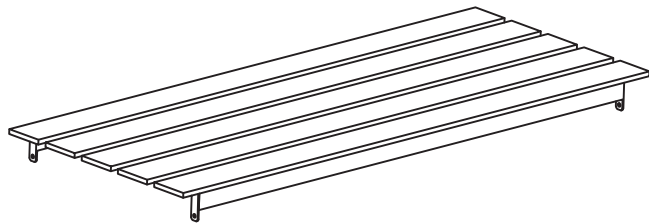
1PC



①

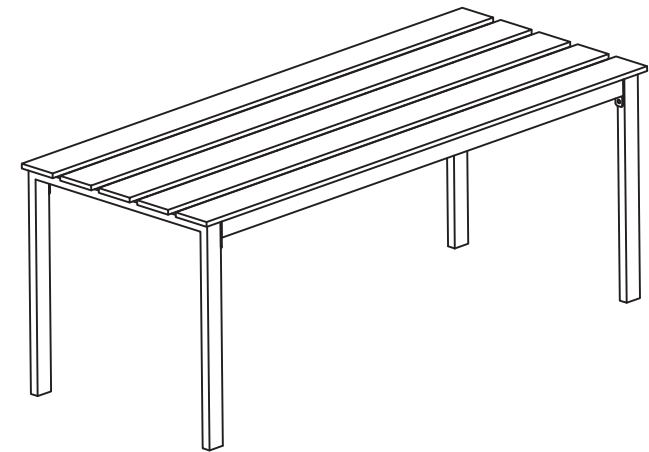


N

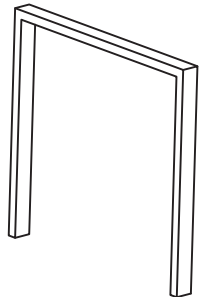


1PC

②



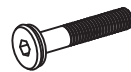
B



2PCS

J

M6\*40mm



4PCS

D

M6\*15mm



4PCS

E



1PC